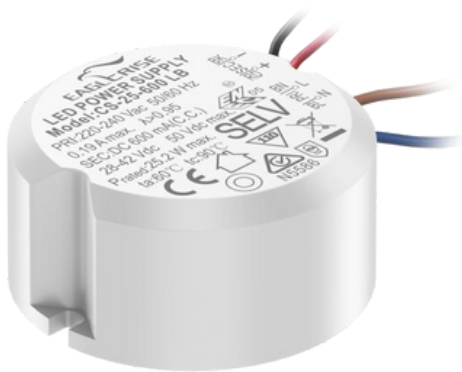


## 25W Constant Current -CS Series

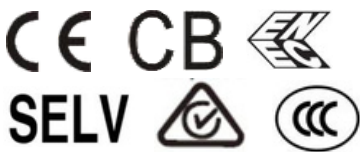


### Features

- Class II, SELV, Built-in
- Input Voltage 220-240VAC
- Protections: SCP/OLP/OVP
- Power Factor:  $>0.95$
- Efficiency:  $\geq 86\%$
- 5 years warranty

### Applications

- Wall light
- COB light
- LED spot light

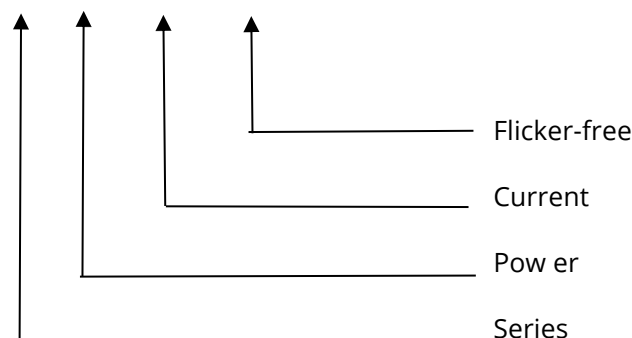


### Description

CS-25-XXX LB is a 25W constant current LED driver that operates from 176-264Vac input with 500/550/600mA output current. With it's compact dimensions from  $\Phi 55 \times 26\text{mm}$  it is easy to integrate in spot light, wall light and COB light products. To ensure trouble-free operation, protection is provided against output short circuit and over Load.

### Model code

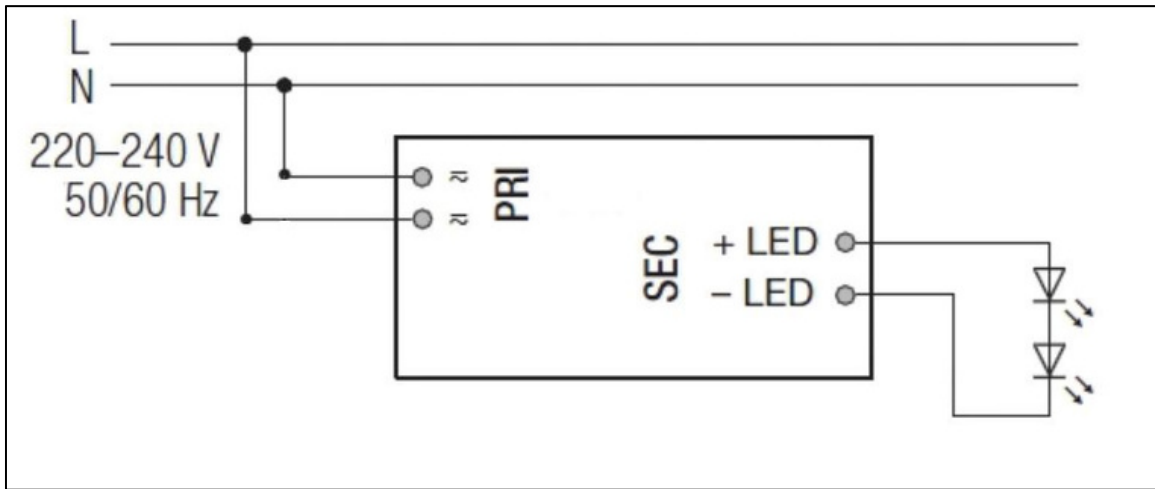
CS-25-XXX LB



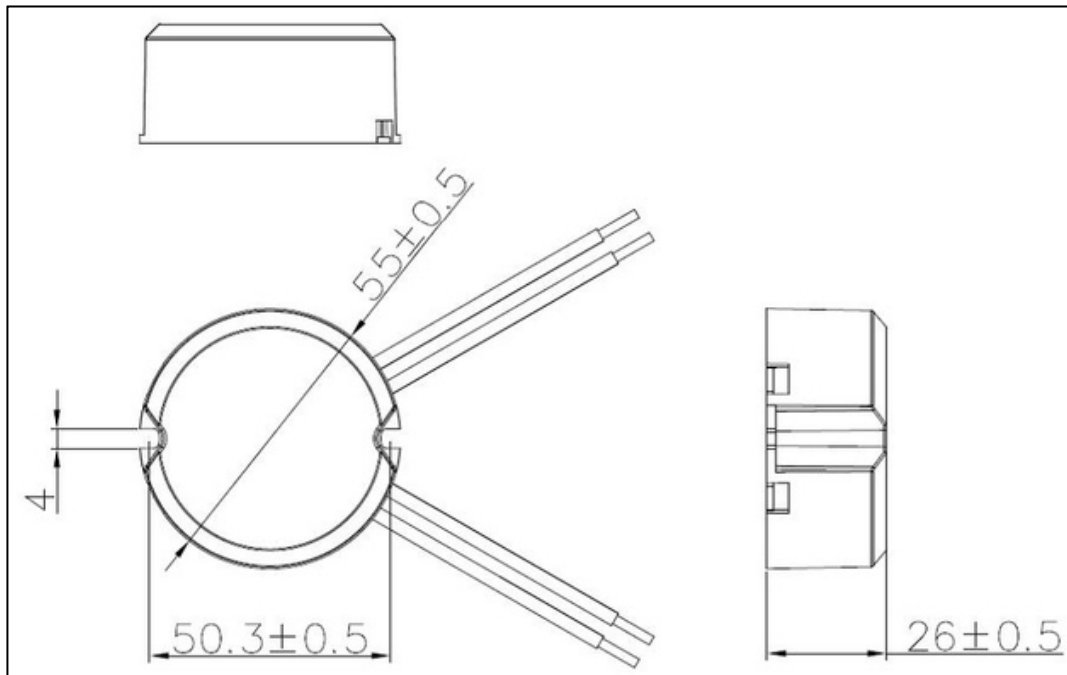
## Specification

	Constant Current	500mA	550mA	600mA
Output	Voltage Range	28-43VDC	28-42VDC	28-42VDC
	Unload voltage Max.	50VDC	50VDC	50VDC
	Current Accuracy	±5%		
	Output HF current ripple(≥1KHz)	±5%		
	Output LF current ripple(≤120Hz)	±5%		
	SVM	≤0.4		
	Pst	≤1		
	Efficiency(Typ.)	≥86%		
	Input	Rated input voltage	220-240VAC	
Range of input voltage		176-264VAC		
Rated input voltage(DC)		176-280VDC		
Frequency(Hz)		0/50/60Hz		
Displacement factor		≥0.9		
Power Factor		>0.95		
Input Current max		0.16A		
Start-uptime		<0.5S		
No Load Power		≤0.5W		
THD(Typ.)		<10%		
Protection		Over Load Protection	103-120%	
		YES/Auto Resume		
	Over Voltage Protection	>50VDC		
		YES/Auto Resume		
	Short circuit Protection	YES/AutoResume		
Environment	Operating Temperature	-20°C~+60°C		
	Humidity	20%-90%RH		
	Tc	90°C		
	Storage Temperature	-25°C~+60°C		
	Lifetime	>50000h@Tc=90°C,230VAC		
Surface	Dimension	Φ55X26(DXH)mm		
s tandards	EN61347-1; EN61347-2-13;EN62384; EN55015;EN61000-3-2 ;EN61000-3-3; EN61547;			
Others	ErP	EU2019/2020		
	RoHS	RoHS(2011/65/EU) (EU)2015/863		
Note	<p>1.All parameters NOT specially mentioned are measured at 240VAC input , full load and 25°C of ambient temperature.</p> <p>2.Ripple &amp; Noise are measured at 20MHz of bandwidth by using a 300mm twisted pair-wire terminated with a 0.1 uF &amp; 47 uF parallel capacitor.</p>			

### Wiring diagram

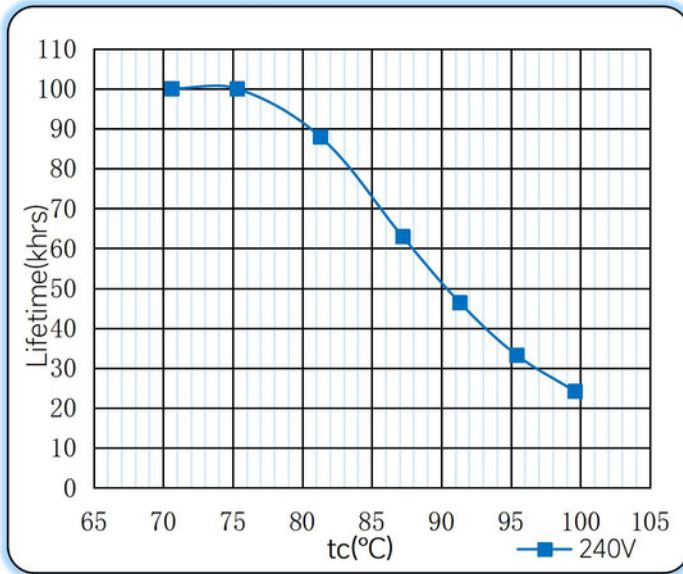


### 2D diagram

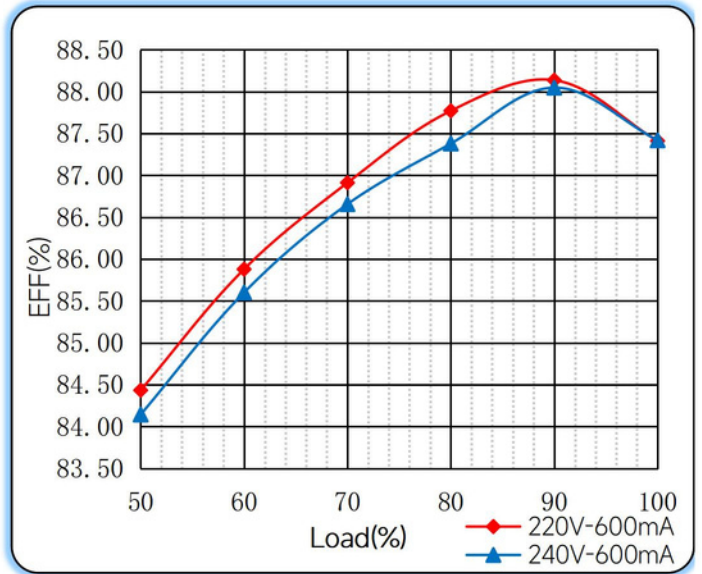


### Curve for CS-25-600 LB, I<sub>o</sub>=600mA

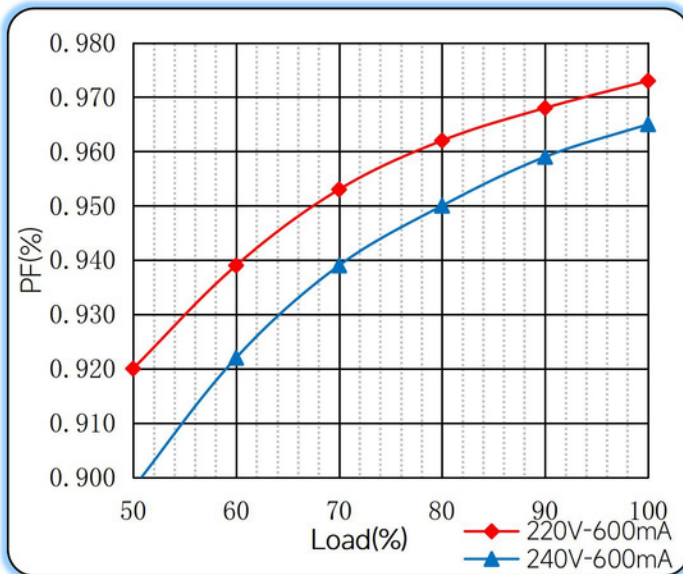
Lifetime vs. Temperature Curve



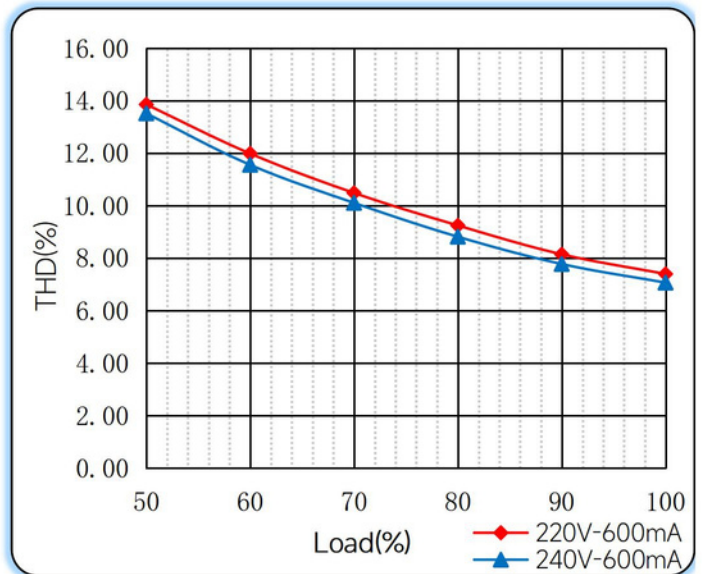
Efficiency vs. Load



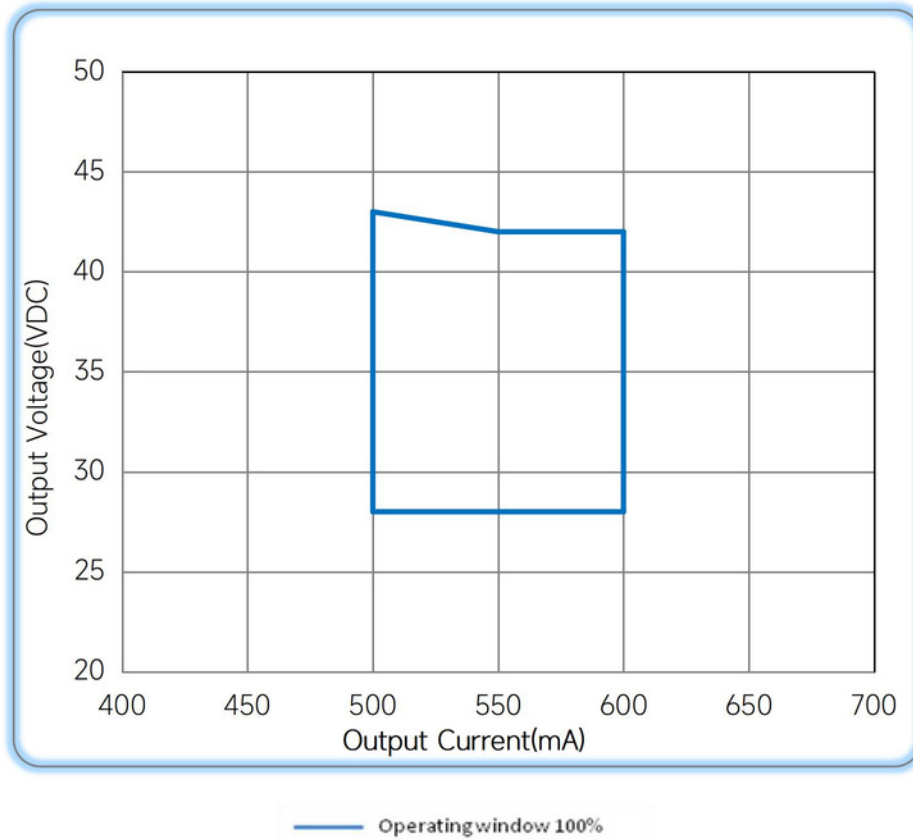
Power Factor Characteristics



THD vs. Load



## Operating window



## Revision Updates

ITEM	BEFORE	AFTER	VERSION	DATE
Initial			A	2022/05/15